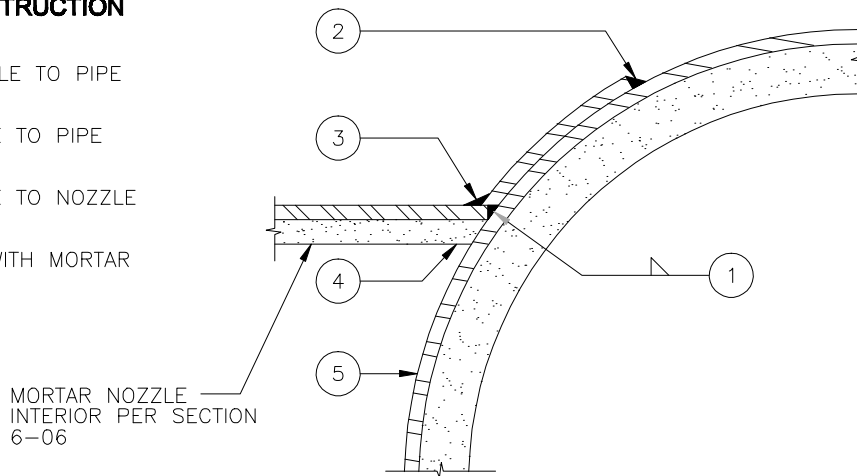


**PLAN VIEW**

**ORDER OF CONSTRUCTION**

- ① WELD NOZZLE TO PIPE
- ② WELD PLATE TO PIPE
- ③ WELD PLATE TO NOZZLE
- ④ FILL VOID WITH MORTAR
- ⑤ TAP PIPE



**SECTION "A-A"**

TAP SIZE	A	B
4	5"	3"
6	6"	3"
8	6-3/4"	3-1/2"
10	7"	4"
12	7-1/2"	5"

**PICO WATER DISTRICT**

TYPICAL TAP OF STEEL  
MAIN UNDER PRESSURE

APP.           mjgrajeda            
MARK J. GRAJEDA  
GENERAL MANAGER

STANDARD  
DRAWING NUMBER

**W-22**

DATE: SEPT 2008