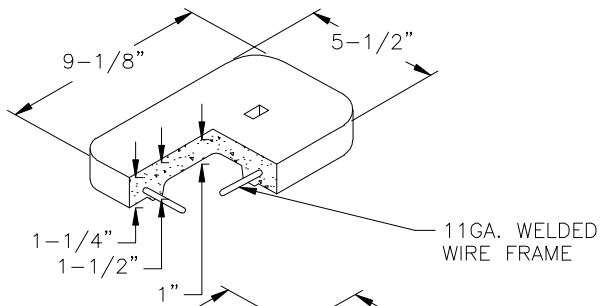
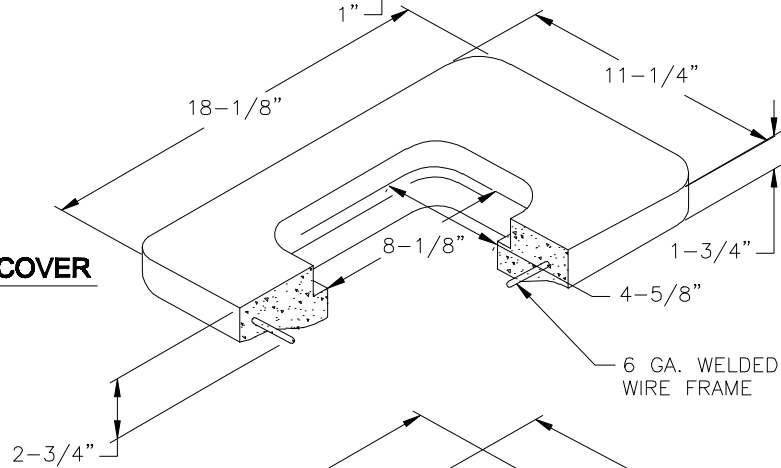


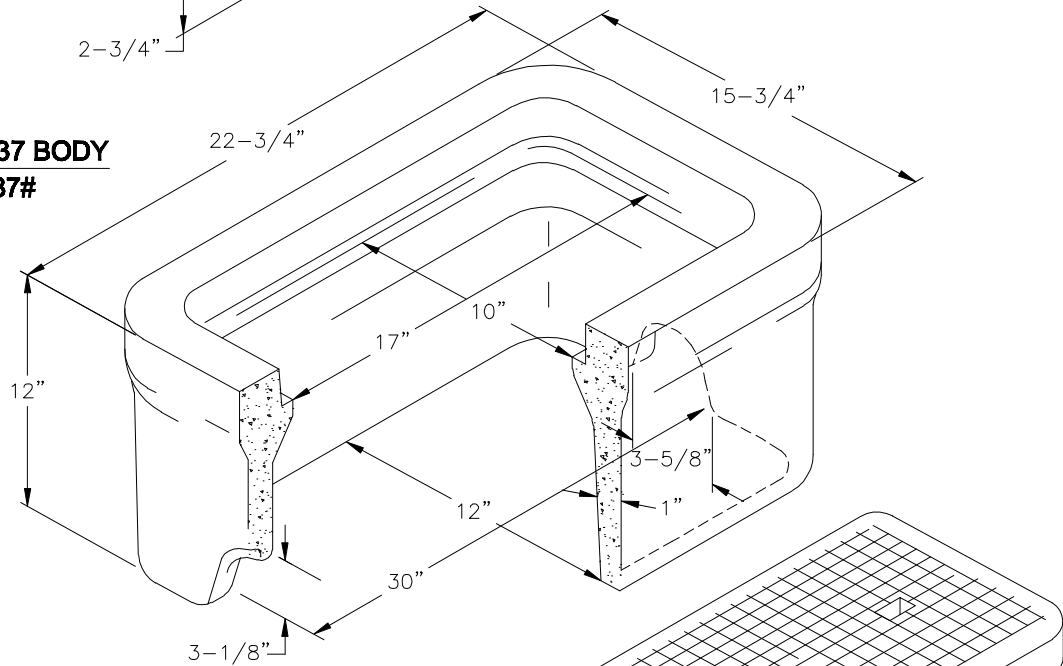
NO. 37-S-LID
WT-5#



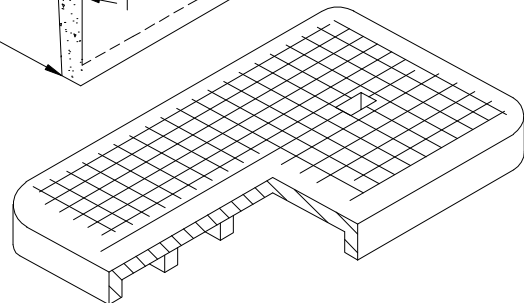
NO. 37-S-COVER
WT-28#



NO. 37 BODY
WT-87#



NO. 37-T-CAST IRON
TRAFFIC COVER
WT-27#



PICO WATER DISTRICT

**5/8" x 3/4" AND 1" METER BOX,
BROOKS; ARMORCAST OR EQUAL**

APP. mjgrajeda
MARK J. GRAJEDA
GENERAL MANAGER

STANDARD
DRAWING NUMBER

W-25

DATE: SEPT 2008