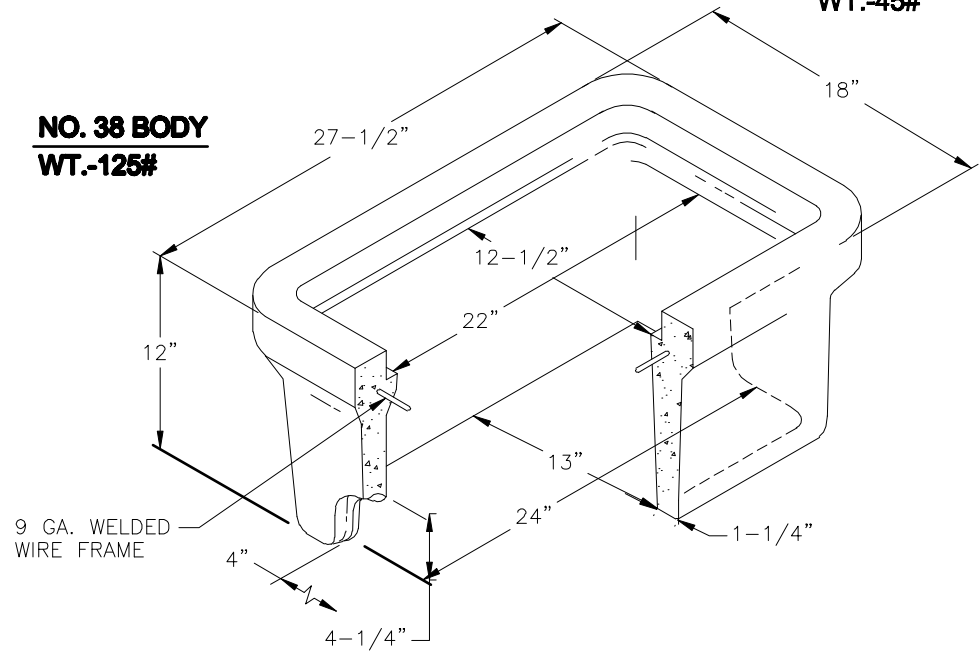


**NO. 38 TR-STEEL
TRAFFIC COVER
W/READING LID**
WT.-37#
OR
**NO. 38-S COVER
W/READING LID**
WT.-45#

**NO. 38 BODY
WT.-125#**



9 GA. WELDED
WIRE FRAME

**NO. 65.S BODY
W/ COVER & LID**

PICO WATER DISTRICT

1 1/2" METER BOX, BROOKS;
ARMORCAST OR EQUAL

APP. mjgrajeda
MARK J. GRAJEDA
GENERAL MANAGER

STANDARD
DRAWING NUMBER

W-26

DATE: SEPT 2008

