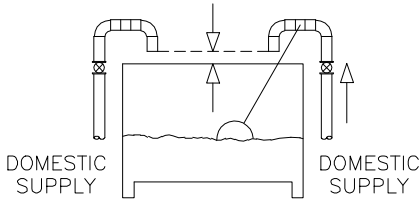
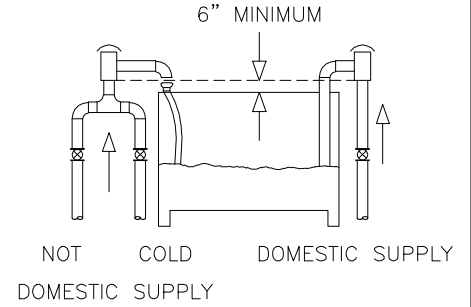
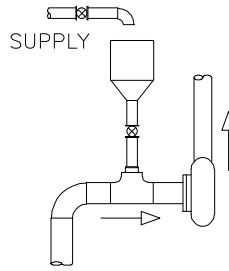


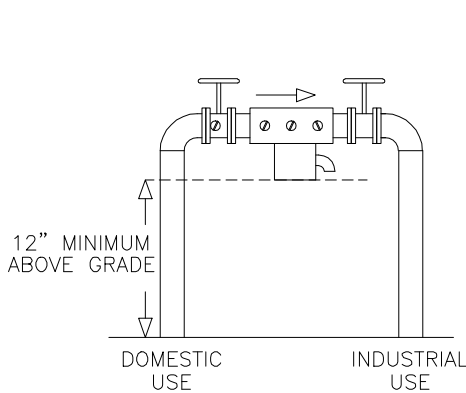
1" MINIMUM OR TWO PIPE DIAMETERS



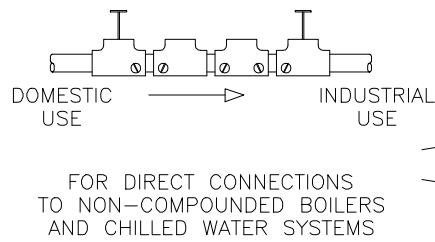
AIR GAP SEPARATION



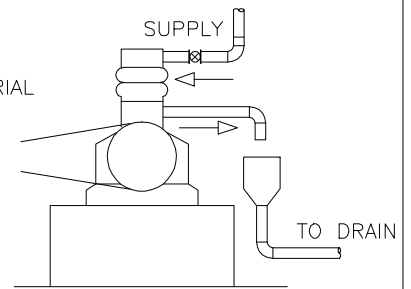
ATMOSPHERIC VACUUM BREAKER INSTALLATION



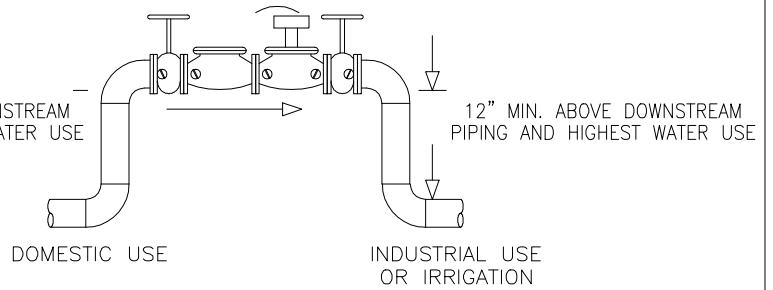
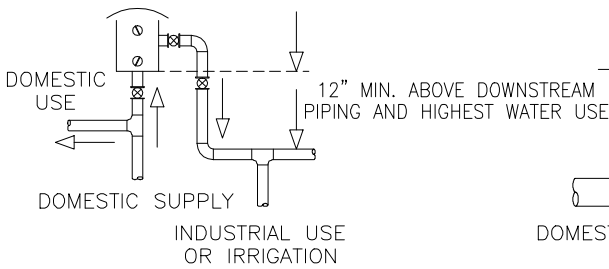
REDUCED PRESSURE PRINCIPLE BACK FLOW PREVENTER



DOUBLE CHECK VALVE ASSEMBLY



INDIRECT CONNECTION TO WASTE



PRESSURE TYPE VACUUM BREAKER INSTALLATION

NOTE:

A REFER TO UNIFORM PLUMBING CODE LATEST EDITION

PICO WATER DISTRICT

SAFE PLUMBING PRACTICE

APP. *mjgrajeda*
MARK J. GRAJEDA
GENERAL MANAGER

STANDARD DRAWING NUMBER

W-35

DATE: SEPT 2008