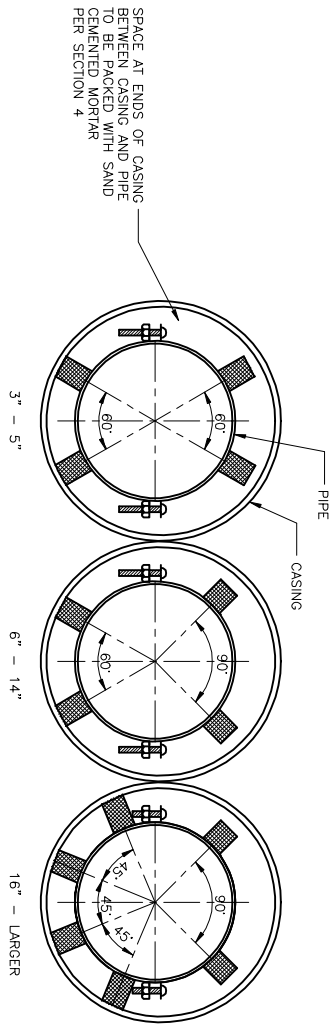


**RECOMMENDED SPACING:**

GENERAL - 13' LENGTH OF CARRIER PIPE; 2 SPACERS PER STICK; 18'-20' LENGTH OF CARRIER PIPE; 3 SPACERS PER STICK. NOTE: (PVC WITH A THIN WALL MAY REQUIRE 3 PER 13' OR 4 PER 18'-20') SOME APPLICATIONS AND LARGE DIAMETER PIPE MAY REQUIRE ADDITIONAL SPACERS. CONSULT MANUFACTURER. SPACERS SHOULD BE INSTALLED 1'-1 1/2' FROM THE END OF EACH JOINT & EVERY 8'-10' THEREAFTER, DEPENDING ON THE APPLICATION.

MINIMUM SIZE CASING REQUIRED W/ DUCTILE IRON PIPE (IN INCHES)	
PIPE SIZE	CASING SIZE (I.D.)
4	10
6	12
8	16
10	18
12	20
14	24
16	26



**MODEL M SERIES SPACERS**

**PICO WATER DISTRICT**

TYPICAL INSTALLATION OF PIPE IN CASING

APP. *M. Garza*  
MARK A. GARZA  
 GENERAL MANAGER

- NOTES:**
- A** PIPE AND CASING DIMENSIONS TO BE AS INDICATED ON THE PLANS. ALL PIPE HANDLING, PULLING AND INSTALLATION TO BE AS RECOMMENDED BY PIPE AND CASING INSULATOR MANUFACTURER
  - B** ALL CASING JOINTS SHALL BE WELDED
  - C** CASING SHALL BE 6" TO 8" LARGER THAN WATER LINE UNLESS OTHERWISE INDICATED
  - D** ALL FERROUS SURFACES ARE TO BE PROTECTED PER SECTION 4.3.3
  - E** ALL WATER LINES SHALL BE IDENTIFIED WITH BURIED PIPE WARNING/IDENTIFICATION TAPE PER SECTION 16
  - F** ALL INSTALLATIONS TO CONFORM WITH SECTION 3 AS APPROPRIATE
  - G** MINIMUM WALL THICKNESS OF CASING STEEL SHALL BE 1/4 INCH MINIMUM
  - H** SPACER MATERIAL SHALL BE STEEL
  - I** PULL ON END SEAL BY PIPELINE SEAL AND INSULATOR (PSI) OR APPROVED EQUAL

STANDARD DRAWING NUMBER  
**W-4**  
 DATE: 08/17/2009