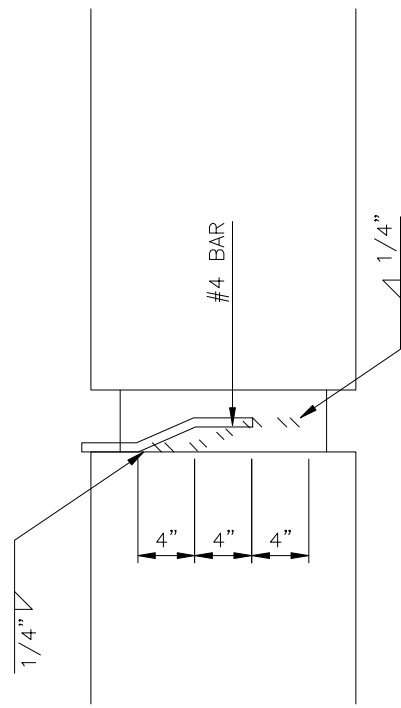


BELL AND SPIGOT JOINT FOR MORTAR LINED AND ASPHALT MASTIC COATED STEEL PIPE
NOT TO SCALE



TYPICAL STRAP DETAIL
NOT TO SCALE

NOTES:

- A MORTAR PER SECTION 6-06

PICO WATER DISTRICT

JOINT DETAIL FOR MORTAR LINED AND ASPHALT MASTIC COATED STEEL PIPE

APP. mjgrajeda
MARK J. GRAJEDA
GENERAL MANAGER

STANDARD DRAWING NUMBER

W-6

DATE: SEPT 2008